

Loadcell Amplifier OWA120/130



The **OWA120/130 series amplifier** is a universal loadcell amplifier covering all types of standard loadcells in paper, foil and converting industry.

- ➔ Working Range: 1mV/V to 50mV/V loadcell signal
- ➔ Handles applications of : Constant Voltage or Constant Current – Bridge supply
- ➔ Cost / Performance effective
- ➔ Available in 24VDC and 110-240VAC models
- ➔ Extra flat, DIN Rail mount w./ metal foot catch

Applications:

The OWA amplifier and OWI Indicator are used with we-ma-co - or thirdparty loadcells to indicate web tension on all types of web-process and converting machines. The output can be used to drive a tension meter. For processing, the output can be interfaced to a PLC, PC or motor-drive

Können wir noch etwas für Sie tun?

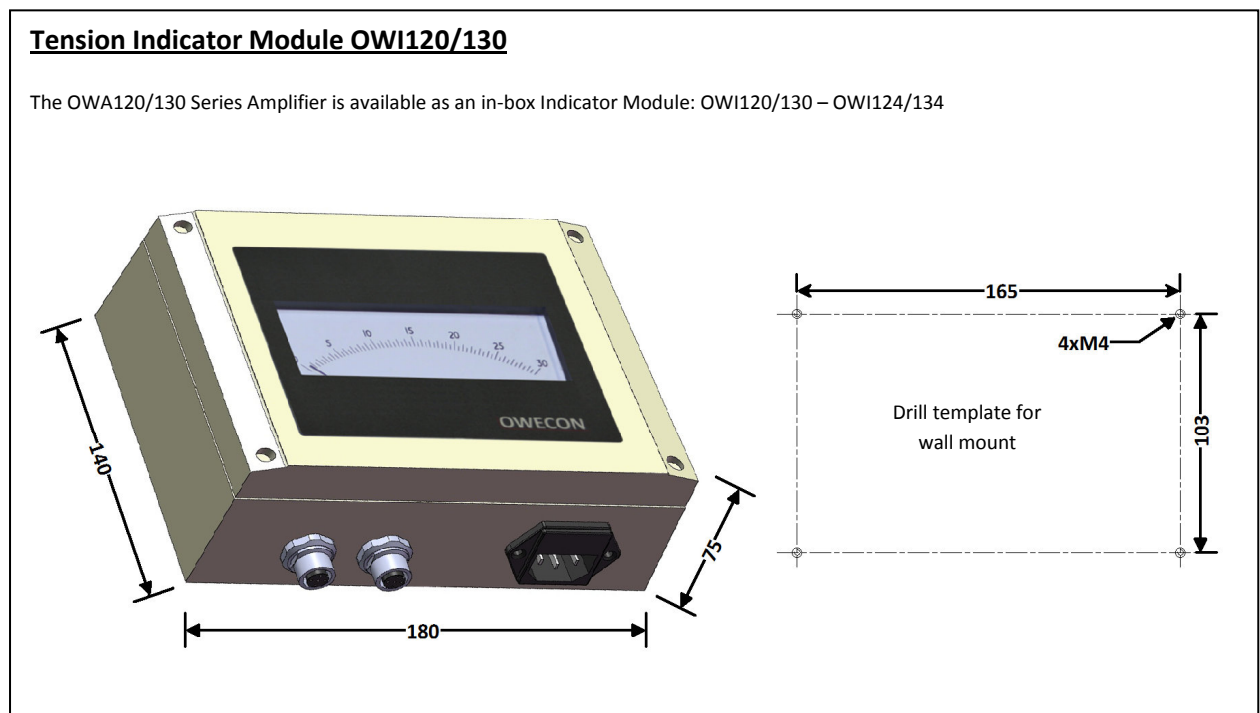
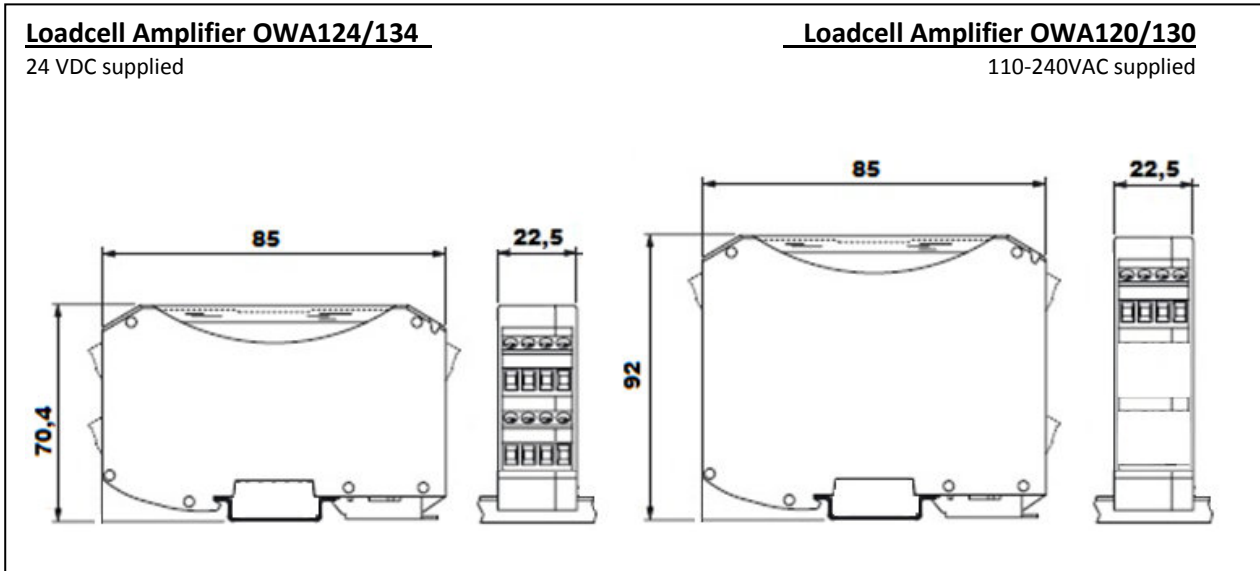
Sie benötigen eine individuelle Beratung oder weitere Informationen zu unseren Produkten? Wir sind für Sie da – Anruf genügt!

we-ma-co GmbH
Siemensstraße 3
D-48683 Ahaus

T 02561/865945-0
F 02561/865945-5
E info@we-ma-co.de

Mechanical specifications

Outline, mechanical dimensions:



Können wir noch etwas für Sie tun?

Sie benötigen eine individuelle Beratung oder weitere Informationen zu unseren Produkten? Wir sind für Sie da – Anruf genügt!

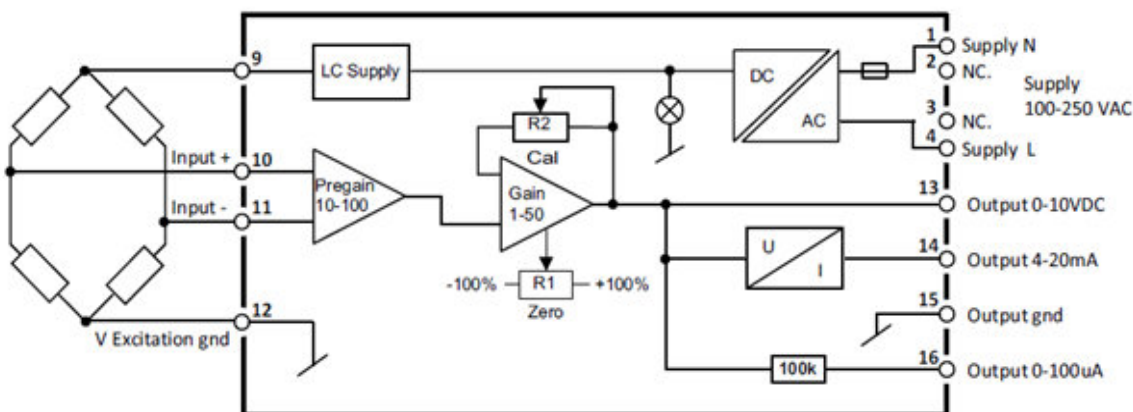
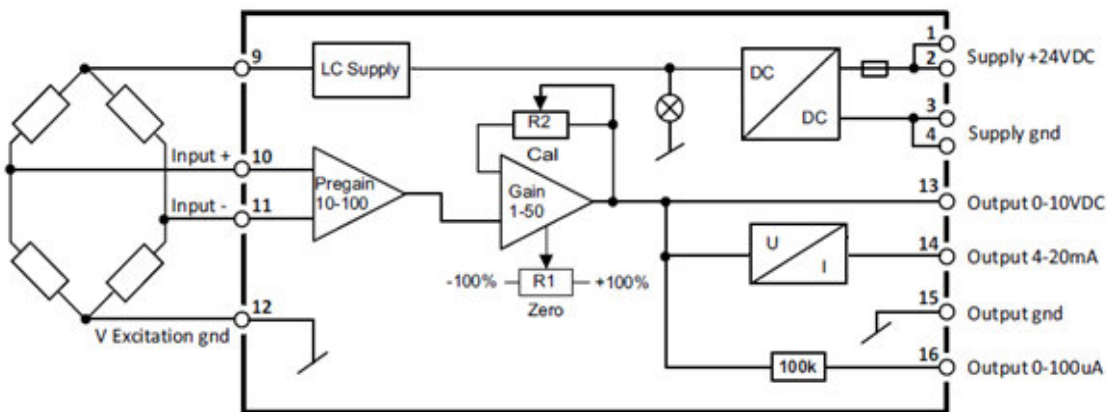
we-ma-co GmbH
Siemensstraße 3
D - 48683 Ahaus

T 02561/865945-0
F 02561/865945-5
E info@we-ma-co.de

Electrical

Loadcell Installation

The OWA120/130 Series Amplifier is compatible to all types of loadcells in the market.



Adjustment procedure:

- Check for correct mounting of sensing roller
- Use a multimeter, VDC range, connected between terminals 13 (+) and 15 (-). (For the **OWI**, read the present meter).
- At zero tension, adjust ZERO until 0 V is measured or read out on the meter.
- Thread a rope around the center of the sensing roller, let it pass at least one roller before and one after the sensing roller.
- Attach a weight of known value to the rope, at least 25% of full scale. Rotate rollers in webdirection.
- Adjust CAL until the multimeter shows a value calculated with the following formula:

$$V = (\text{cal. Weight} / \text{CAL. Full scale value}) \times 10\text{Volts}$$

OR for the **OWI**, the meter reads the calibration weight.

- A negative reading indicates that the loadcell signals are reversed. Switch the wires between terminals 10 and 11.
- Remove the weight and check that outputs return to 0. If not, repeat procedure steps from top.

Können wir noch etwas für Sie tun?

Sie benötigen eine individuelle Beratung oder weitere Informationen zu unseren Produkten? Wir sind für Sie da – Anruf genügt!

we-ma-co GmbH
Siemensstraße 3
D - 48683 Ahaus

T 02561 / 865945 - 0
F 02561 / 865945 - 5
E info@we-ma-co.de

Electrical specifications:

Supply Voltage OWA/OWI124/134.....24VDC +/-15%
 Supply Voltage OWA/OWI120/130.....90-264VAC
 Overvoltage Category3kVAC (Class II)
 Maximum Power Consumption4 W
 Maximum Supply Fuse Size1 A
 Load Cell Input± 1-50 mVDC
 Input Impedance100 kΩ
 Load Cell Supply±2.50 VDC ±1%
 Zero Range Adjustment 100% of Load Cell Rating (± 50mVDC)
 Gain Adjustment10 to 5000 depending on type
 Accuracy Better Than 1%
 Meter Output.....0 to 100 μA
 Process Output4 to 20 mA and 0 to 10VDC
 Process Output Maximum Load (Current)≤ 500 Ω
 Process Output Maximum Load (Voltage)≥ 5000 Ω

Standard Scales OWI Indicator.....0-100, others on request
 ConnectionsRemovable Terminal Blocks
 Mounting BracketDIN Rail
 Mounting OrientationNot Critical
 Ambient Temperature Range: Operating-10°C to 50°C
 Ambient Temperature Range: Storage-10°C to 80°C
 Humidity<95% Non-Condensing
 Degree of ProtectionIP54 (IEC 529)
 EMC-ImmunityEN 50082-2 Industry
 EMC-EmissionEN 50081-1 Trade and Light Industry
 Electrical Safety Standard Meets.....UL-60950-1
 Material Degree of Inflammability MeetsUL 94
 Installation Environment (Pollution Degree)2
 Weight OWA0.10 /0.12 kg
 Weight OWI1.5 kg
 Size OWA 124/134(WxDxH).....22,5mm x 70,4mm x 85mm
 Size OWA 120/130(WxDxH).....22,5mm x 92mm x 85mm

Ordering Information for the OWA / OWI series products:

All 24VDC supplied:

<u>Type</u>	<u>Description</u>	<u>Part No.</u>	<u>Order</u> <input checked="" type="checkbox"/>
OWA124	Loadcell amplifier, semiconductor type,	11240100	<input type="checkbox"/>
OWA134	Loadcell amplifier, foil/resistor type,	11340100	<input type="checkbox"/>
OWI124	Tension Indicator Box, semiconductor type	21240100	<input type="checkbox"/> OWI134
	Tension Indicator Box, foil/resistor type	21340100	<input type="checkbox"/>

All 90-260VAC Supplied:

<u>Type</u>	<u>Description</u>	<u>Part No.</u>	<u>Order</u> <input checked="" type="checkbox"/>
OWA120	Loadcell amplifier, semiconductor type,	11200100	<input type="checkbox"/>
OWA130	Loadcell amplifier, foil/resistor type,	11300100	<input type="checkbox"/>
OWI120	Tension Indicator Box, semiconductor type	21200100	<input type="checkbox"/> OWI130
	Tension Indicator Box, foil/resistor type	21300100	<input type="checkbox"/>

Können wir noch etwas für Sie tun?

Sie benötigen eine individuelle Beratung oder weitere Informationen zu unseren Produkten? Wir sind für Sie da – Anruf genügt!

we-ma-co GmbH
Siemensstraße 3
D - 48683 Ahaus

T 02561/865945 - 0
F 02561/865945 - 5
E info@we-ma-co.de